

# KUBOTA WHEEL LOADER RT100-2

For Earth, For Life  
**Kubota**



Engine output:  
**20 HP / 15 kW**



Machine weight:  
**1100 kg**

## Standard equipment

- Kubota Engine D722 Stage V
- Tyres 23x8.5-12 AS (Total width 92 cm)
- Hydrostatic Transmission 4 wheel drive with automotive control
- Driving system with 4 hydraulic wheel motors Poclain
- 100% differential lock on request
- Electric shuttle on joystick
- Front attachment controlled by joystick
- Double acting mechanical auxiliary circuit AUX1
- Floating position
- ROPS / FOPS canopy included safety doors
- Deluxe seat with safety belt, armrest and extended backrest
- Battery main switch
- Lifting eyes
- Working light (halogen) front and on lifting arm
- Double-element air cleaner
- Oil Cooler
- Mechanical quick coupler
- Hydraulic multidisk brake - Electric controlled

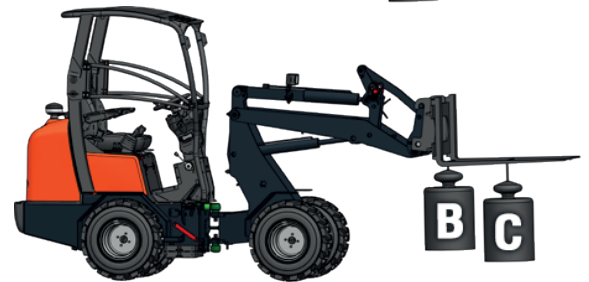


# Specifications

For Earth, For Life

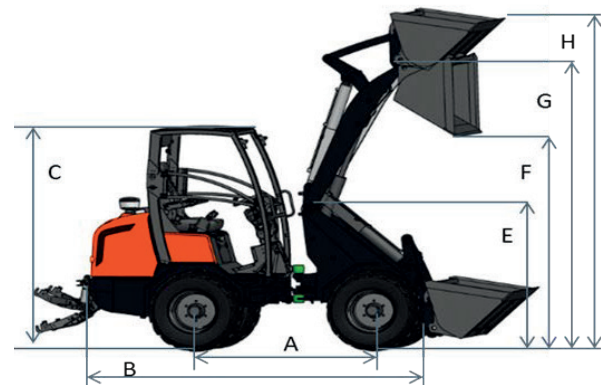


Model name		RT100-2	
Engine	Make	Kubota	
	Model	D722	
	Displacement	CC	719
	Output	HP(kW)	20 (15)
Service weight		kg	1100
Tipping load		kg	1000
Driving speed		km/h	0~15
Lifting capacity	A	kg	1690
	B	kg	800
	C	kg	550
Auxiliary circuit	Oil flow	l/min	28
	Oil pressure	bar	150



# Dimensions

Model name		RT100-2	
A	Wheel base	mm	1205
B	Overall length	mm	2211
C	Overall height with canopy	mm	2060
D	Overall width	mm	920/1220
E	Height front frame	mm	1380
F	Max. dumping height	mm	1408
G	Max. bucket pin height	mm	2170
H	Height with bucket	mm	2967



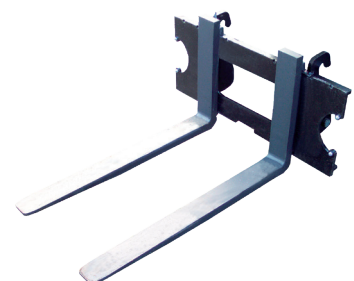
# Accessories



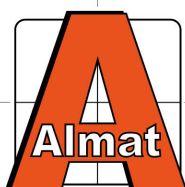
Earth bucket



Bucket 4 in 1



Pallet fork



**INDUSTRIE | GROENTECHNIEK | LANDBOUW | VERHUUR**

Stoomdijk 13 - 15 T. 0573 - 44 80 80  
7245 PN Laren Gld. info@almatlaren.nl

**WWW.ALMATLAREN.NL**