

KUBOTA WHEEL LOADER RT150-2

For Earth, For Life
Kubota



Engine output:
26 HP / 19 kW



Machine weight:
1480 / 1685 kg

Standard equipment

- Kubota Engine D1105 Stage V
- Tyres 7.00x12 AS (Total width 89 cm)
- Hydrostatic Transmission 4 wheel drive with automotive control
- Driving system with 4 hydraulic wheel motors Poclain
- 100% differential lock on request
- Electric shuttle on joystick
- Front attachment controlled by joystick
- Double acting mechanical auxiliary circuit AUX1
- Floating position
- ROPS / FOPS canopy included safety doors
- Deluxe seat with safety belt, armrest and extended backrest
- Battery main switch
- Towing hook at the back
- Working light (halogen) front and on lifting arm
- Cyclone filter
- Oil Cooler
- Hydraulic quick coupler
- Hydraulic multidisk brake - Electric controlled



Specifications

Model name		RT150-2	
Engine	Make	Kubota	
	Model	D1105	
	Displacement	CC	1123
	Output	HP(kW)	26 (19)
Service weight		kg	1480
Tipping load		kg	1040
Driving speed		km/h	0~12
Lifting capacity	A	kg	1376
	B	kg	799
	C	kg	580
Auxiliary circuit	Oil flow	l/min	42
	Oil pressure	bar	170

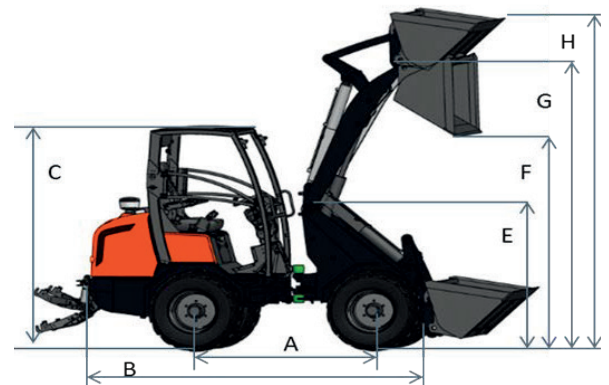
For Earth, For Life

Kubota



Dimensions

Model name		RT150-2	
A	Wheel base	mm	1368
B	Overall length	mm	2669
C	Overall height with canopy	mm	2230
D	Overall width	mm	890/1240
E	Height front frame	mm	1550
F	Max. dumping height	mm	1827
G	Max. bucket pin height	mm	2558
H	Height with bucket	mm	3138



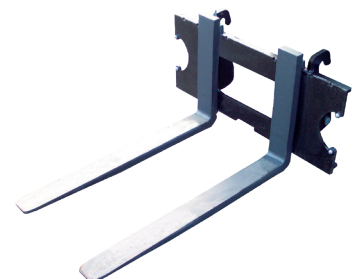
Accessories



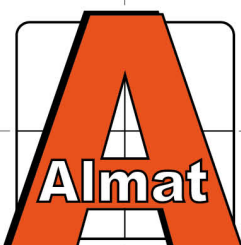
Earth bucket



Bucket 4 in 1



Pallet fork



INDUSTRIE | **GROENTECHNIEK** | **LANDBOUW** | **VERHUUR**

Stoomdijk 13 - 15 T. 0573 - 44 80 80
7245 PN Laren Gld. info@almatlaren.nl

WWW.ALMATLAREN.NL