

## RX 70 Technical Data Diesel Forklift Trucks

---

RX 70-60

RX 70-70

RX 70-80

RX 70-80/900



**RX 70-60/80 Diesel Forklift Truck**  
Power intelligently defined

This specification sheet, which conforms to VDI guideline 2198, provides the technical values for the standard equipment only. Different tyres, other masts, the use of accessories etc. may result in other values.

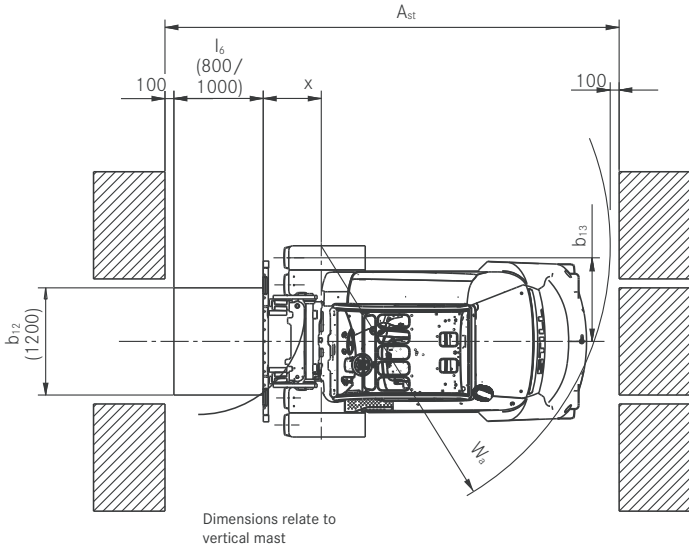


Category	Item No.	Description	Unit	STILL	STILL	STILL	STILL		
				RX 70-60	RX 70-70	RX 70-80	RX 70-80/900		
Distinguishing marks	1.1	Manufacturer							
	1.2	Manufacturer's model designation		<b>RX 70-60</b>	<b>RX 70-70</b>	<b>RX 70-80</b>	<b>RX 70-80/900</b>		
	1.2.1	Manufacturer's type designation		7341	7342	7343	7344		
	1.3	Drive		Diesel	Diesel	Diesel	Diesel		
	1.4	Operation		Seated	Seated	Seated	Seated		
	1.5	Nominal load capacity/load	Q	kg	6000	7000	8000	8000	
	1.6	Load centre	c	mm	600	600	600	900	
	1.8	Load distance	x	mm	710	720	720	750	
	1.9	Wheel base	y	mm	2285	2285	2405	2480	
Weights	2.1	Truck weight		kg	10477	11370	12274	14690	
	2.2	Axle loading, laden	front/rear	kg	14854/1623	16599/1771	18396/1878	20535/2155	
	2.3	Axle loading, unladen	front/rear	kg	5415/5062	5555/5815	6006/6268	7213/7477	
Tyres/chassis	3.1	Tyres			Superelastic	Superelastic	Superelastic	Superelastic	
	3.2	Tyre size	front	mm	355/65-15	8.25-15	8.25-15	315/70-15	
	3.2	Tyre size	rear	mm	250-15	250-15	250-15	28 x 12.5-15	
	3.5	Number of wheels (x = driven)	front/rear			2x/2	4x/2	4x/2	
	3.6	Track width	front/rear	b <sub>10</sub> /b <sub>11</sub>	mm	1306/1358	1510/1358	1510/1358	1561/1432
	4.1	Tilt of mast/fork carriage	forward/backward	α/β	°	5/8	5/8	5/8	5/8
Dimensions	4.2	Height	mast lowered	h <sub>1</sub>	mm	2710	2710	2710	2710
	4.3	Free lift		h <sub>2</sub>	mm	150	150	150	150
	4.4	Lift		h <sub>3</sub>	mm	3550	3150	3150	2750
	4.5	Height	mast raised	h <sub>4</sub>	mm	4440	4240	4240	4140
	4.7	Height over overhead guard (cab)		h <sub>6</sub>	mm	2697	2697	2697	2697
	4.8	Seat height rel. to SIP		h <sub>7</sub>	mm	1719	1719	1719	1719
	4.12	Coupling height		h <sub>10</sub>	mm	510/660	510/660	510/660	510/660
	4.19	Overall length		l <sub>1</sub>	mm	4640	4732	4800	5520
	4.20	Length including fork backs		l <sub>2</sub>	mm	3440	3532	3600	3720
	4.21	Overall width		b <sub>1</sub>	mm	1597	1998	1998	2140
	4.22	Fork dimensions		s/e/l	mm	70/1501200	70/150/1200	70/150/1200	70/200/1800
	4.23	Fork carriage ISO 2328, Class / Form A, B				Cl. IV, form A	Cl. IV, form A	Cl. IV, form A	Cl. IV, form A
	4.24	Fork carriage width		b <sub>3</sub>	mm	1600	1800	1800	2180
	4.31	Ground clearance under mast, laden		m <sub>1</sub>	mm	220	220	220	220
	4.32	Ground clearance, centre of wheel base		m <sub>2</sub>	mm	210	210	210	210
	4.34.1	Working aisle width with pallet 1000 x 1200 crosswise		A <sub>st</sub>	mm	4907	4987	5056	5185
	4.34.2	Working aisle width with pallet 800 x 1200 lengthways		A <sub>st</sub>	mm	5107	5187	5256	5385
	4.35	Turning radius		W <sub>a</sub>	mm	3007	3067	3136	3235
	4.36	Smallest pivot point distance		b <sub>13</sub>	mm	877	877	894	900
	Performance data	5.1	Travel speed	laden/unladen	km/h	20/20	20/20	20/20	20/20
5.2		Hoist speed	laden/unladen	m/s	0.51/0.51	0.42/0.44	0.42/0.43	0.41/0.43	
5.3		Lowering speed	laden/unladen	m/s	0.56/0.52	0.50/0.42	0.50/0.42	0.50/0.42	
5.5		Traction	laden/unladen	N	31680/31680	32540/32540	35460/35460	36750/36750	
5.7		Max. gradeability	laden/unladen	%	33/32	27/30	24/30	21/29	
5.9		Acceleration time	laden/unladen	s	5.4/4.9	5.5/5.0	5.6/5.1	5.7/5.1	
5.10	Service brake				Mechanical/hydraulic	Mechanical/hydraulic	Mechanical/hydraulic	Mechanical/hydraulic	
IC engine	7.1	Engine manufacturer			Deutz	Deutz	Deutz	Deutz	
	7.1.1	Type			TCD 4.1	TCD 4.1	TCD 4.1	TCD 4.1	
	7.2	Engine rating to ISO 1585		kW	80	80	80	80	
	7.3	Nominal speed		1/min	2400	2400	2400	2400	
	7.4	Number of cylinders			4	4	4	4	
	7.4.1	Swept volume		cm <sup>3</sup>	4038	4038	4038	4038	
	7.5	Fuel consumption according to VDI cycle		l/h	7.0	7.8	8.6	9.2	
	7.9	On-board voltage		V	12	12	12	12	
	8.1	Drive control				Diesel-electric	Diesel-electric	Diesel-electric	
Miscellaneous	10.1	Working pressure for attachments		bar	260	260	260	260	
	10.2	Oil volume for attachments		l/min	60	60	60	60	
	10.4	Volume fuel tank		l/kg	110	110	110	110	
	10.7	Sound pressure level <sup>1</sup> L <sub>pA2</sub> (driver's seat)		dB(A)	<75	<75	<75	<75	
	10.7.1	Sound power level LWAZ (work cycle)		dB(A)	<97	<97	<97	<97	
		Human vibrations <sup>2</sup> in accordance with EN 13059		m/s <sup>2</sup>	0.31	0.31	0.31	0.31	
10.8	Towing coupler, Type/Model DIN			Pin	Pin	Pin	Pin		

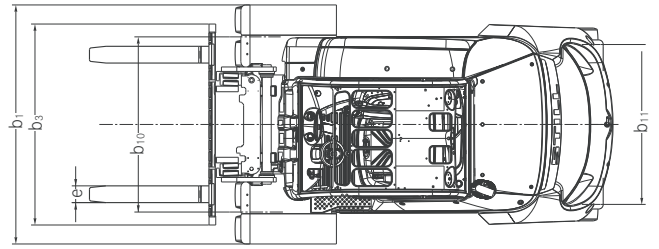
<sup>1</sup> Without cab; higher sound level with cab

<sup>2</sup> With standard driver's seat

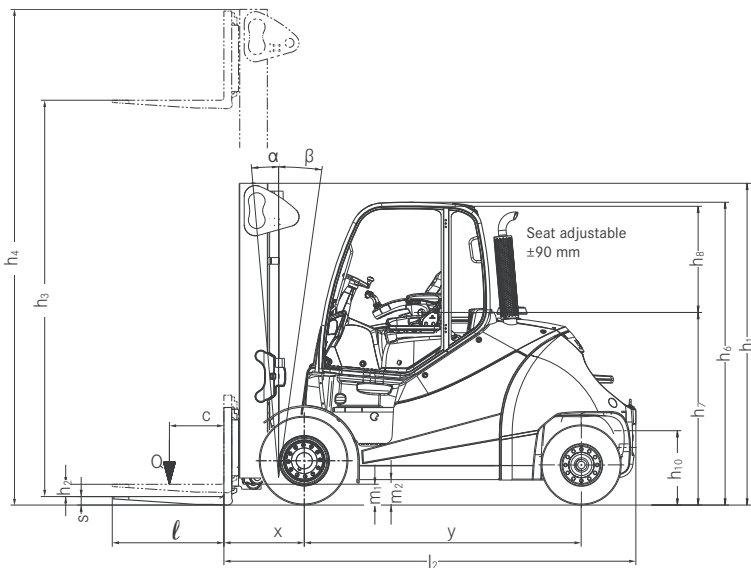
RX 70-60/80 Diesel Forklift Truck  
 Technical Drawings



Top view



Top view



Side view

RX 70-60/80 Diesel Forklift Truck  
Mast Tables

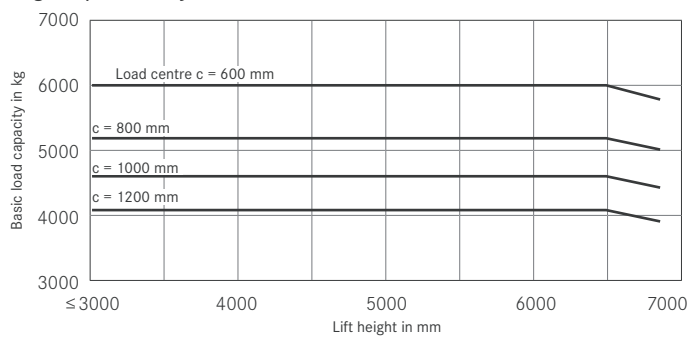


			Telescopic mast												Triplex mast								
			3550	3850	4150	4550	4850	5250	5650	6050	6250	6450	6850	4770	5370	5820	6420	6870	7470	8070	8670		
RX 70-60	Nominal lift	h <sub>3</sub>	mm	3550	3850	4150	4550	4850	5250	5650	6050	6250	6450	6850	4770	5370	5820	6420	6870	7470	8070	8670	
	Overall height	h <sub>1</sub>	mm	2710	2860	3010	3210	3360	3560	3760	3960	4060	4160	4360	2710	2860	3010	3210	3360	3560	3760	3960	
	Free lift	h <sub>5</sub>	mm	110	110	110	110	110	110	110	110	110	110	110	1755	1905	2055	2255	2405	2605	2805	3005	
	Maximum height	h <sub>4</sub>	mm	4450	4750	5050	5450	5750	6150	6550	6950	7150	7350	7750	5660	6260	6710	7310	7760	8360	8960	9560	
	Tilt of mast/fork carriage	forward/backward	α/β	°	5/8																		
	Fork lock-in position centre-centre		mm	267/470/673/978/1181/1486 (fork carriage 1600 mm) / 1570 (fork carriage 1800 mm) / 1791 (fork carriage 2180/2400 mm) / 1866 (fork carriage 2180 mm) / 1950 (fork carriage 2400 mm) / 2096 (fork carriage 2400 mm)												267/470/673/978/1181/1486 (fork carriage 1600 mm) / 1570 (fork carriage 1800 mm) / 1791 (fork carriage 2180/2400 mm) / 1866 (fork carriage 2180 mm) / 1950 (fork carriage 2400 mm) / 2096 (fork carriage 2400 mm)							
	Tyres	front/rear		Superelastic 355/65-15 / Superelastic 28 x 9-15												Superelastic 355/65-15 / Superelastic 28 x 9-15				Superelastic 355/50-20 / Superelastic 28 x 9-15			
	Track	front/rear	b <sub>10</sub> /b <sub>11</sub>	mm	1306/1358												1306/1358				1364/1358		
Maximum width		b <sub>1</sub>	mm	1599												1599				1647			
RX 70-70	Nominal lift	h <sub>3</sub>	mm	3150	3450	3750	4150	4450	4850	5250	5650	5850	6050	6450	4705	5155	5605	6205	6655	7255	7855	8455	
	Overall height	h <sub>1</sub>	mm	2710	2860	3010	3210	3360	3560	3760	3960	4060	4160	4360	2710	2860	3010	3210	3360	3560	3760	3960	
	Free lift	h <sub>5</sub>	mm	110	110	110	110	110	110	110	110	110	110	110	1555	1705	1855	2055	2205	2405	2605	2805	
	Maximum height	h <sub>4</sub>	mm	4250	4550	4850	5250	5550	5950	6350	6750	6950	7150	7550	5795	6245	6695	7295	7745	8345	8945	9545	
	Tilt of mast/fork carriage	forward/backward	α/β	°	5/8																		
	Fork lock-in position centre-centre		mm	267/470/673/978/1181/1486 (fork carriage 1600 mm) / 1570 (fork carriage 1800 mm) / 1791 (fork carriage 2180/2400 mm) / 1866 (fork carriage 2180 mm) / 1950 (fork carriage 2400 mm) / 2096 (fork carriage 2400 mm)												267/470/673/978/1181/1486 (fork carriage 1600 mm) / 1570 (fork carriage 1800 mm) / 1791 (fork carriage 2180/2400 mm) / 1866 (fork carriage 2180 mm) / 1950 (fork carriage 2400 mm) / 2096 (fork carriage 2400 mm)							
	Tyres	front/rear		Superelastic Twin 8.25-15 / Superelastic 250-15												Superelastic Twin 8.25-15 / Superelastic 250-15							
	Track	front/rear	b <sub>10</sub> /b <sub>11</sub>	mm	1510/1358												1510/1358						
Maximum width		b <sub>1</sub>	mm	2003												2003							
RX 70-80	Nominal lift	h <sub>3</sub>	mm	3150	3450	3750	4150	4450	4850	5250	5650	5850	6050	6450	4705	5155	5605	6205	6655	7255	7855	8455	
	Overall height	h <sub>1</sub>	mm	2710	2860	3010	3210	3360	3560	3760	3960	4060	4160	4360	2710	2860	3010	3210	3360	3560	3760	3960	
	Free lift	h <sub>5</sub>	mm	110	110	110	110	110	110	110	110	110	110	110	1555	1705	1855	2055	2205	2405	2605	2805	
	Maximum height	h <sub>4</sub>	mm	4250	4550	4850	5250	5550	5950	6350	6750	6950	7150	7550	5795	6245	6695	7295	7745	8345	8945	9545	
	Tilt of mast/fork carriage	forward/backward	α/β	°	5/8																		
	Fork lock-in position centre-centre		mm	267/470/673/978/1181/1486 (fork carriage 1600 mm) / 1570 (fork carriage 1800 mm) / 1791 (fork carriage 2180/2400 mm) / 1866 (fork carriage 2180 mm) / 1950 (fork carriage 2400 mm) / 2096 (fork carriage 2400mm)												267/470/673/978/1181/1486 (fork carriage 1600 mm) / 1570 (fork carriage 1800 mm) / 1791 (fork carriage 2180/2400 mm) / 1866 (fork carriage 2180 mm) / 1950 (fork carriage 2400 mm) / 2096 (fork carriage 2400 mm)							
	Tyres	front/rear		Superelastic Twin 8.25-15 / Superelastic 250-15												Superelastic Twin 315/70-15 / Superelastic 250-15							
	Track	front/rear	b <sub>10</sub> /b <sub>11</sub>	mm	1510/1358												1510/1358						
Maximum width		b <sub>1</sub>	mm	2003												2125							
RX 70-80/900	Nominal lift	h <sub>3</sub>	mm	2750	3050	3350	3750	4050	4450	4850	5250	5450	5650	6050	3955	4405	4855	5455	5905	6505	7105	7705	
	Overall height	h <sub>1</sub>	mm	2710	2860	3010	3210	3360	3560	3760	3960	4060	4160	4360	2710	2860	3010	3210	3360	3560	3760	3960	
	Free lift	h <sub>5</sub>	mm	110	110	110	110	110	110	110	110	110	110	110	1255	1405	1555	1755	1905	2105	2305	2505	
	Maximum height	h <sub>4</sub>	mm	4150	4450	4750	5150	5450	5850	6250	6650	6850	7050	7450	5345	5795	6245	6845	7295	7895	8495	9095	
	Tilt of mast/fork carriage	forward/backward	α/β	°	5/8																		
	Fork lock-in position centre-centre		mm	267/470/673/978/1181/1486 (fork carriage 1600 mm) / 1570 (fork carriage 1800 mm) / 1791 (fork carriage 2180/2400 mm) / 1866 (fork carriage 2180 mm) / 1950 (fork carriage 2400 mm) / 2096 (fork carriage 2400 mm)												267/470/673/978/1181/1486 (fork carriage 1600 mm) / 1570 (fork carriage 1800 mm) / 1791 (fork carriage 2180/2400 mm) / 1866 (fork carriage 2180 mm) / 1950 (fork carriage 2400 mm) / 2096 (fork carriage 2400 mm)							
	Tyres	front/rear		Superelastic Twin 315/70-15 / Superelastic 28 x 12.5-15												Superelastic Twin 315/70-15 / Superelastic 28 x 12.5-15							
	Track	front/rear	b <sub>10</sub> /b <sub>11</sub>	mm	1561/1432												1561/1432						
Maximum width		b <sub>1</sub>	mm	2125												2125							

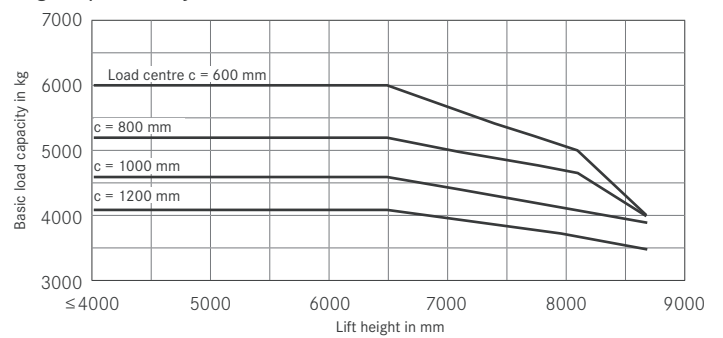
# RX 70-60/80 Diesel Forklift Truck

## Basic Load Capacities

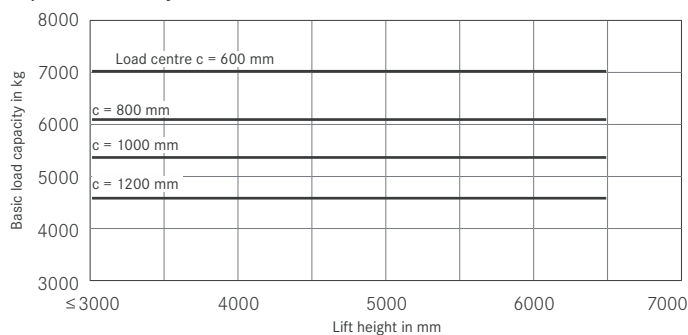
**RX 70-60 Telescopic mast**  
single Superelastic tyres



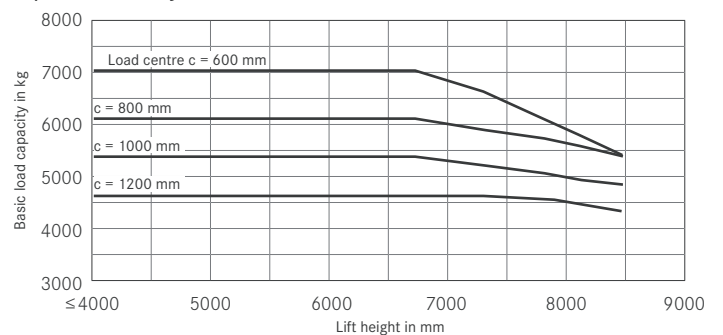
**RX 70-60 Triplex mast**  
single Superelastic tyres



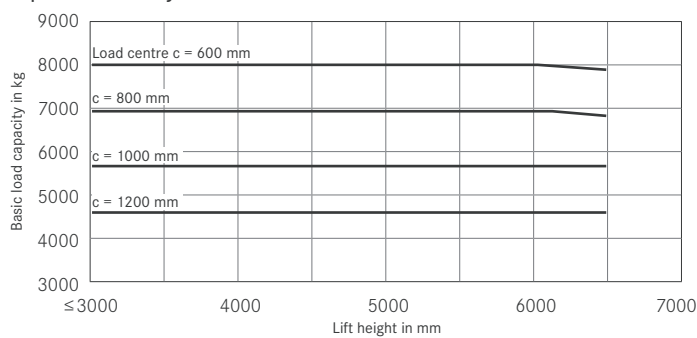
**RX 70-70 Telescopic mast**  
Superelastic twin tyres



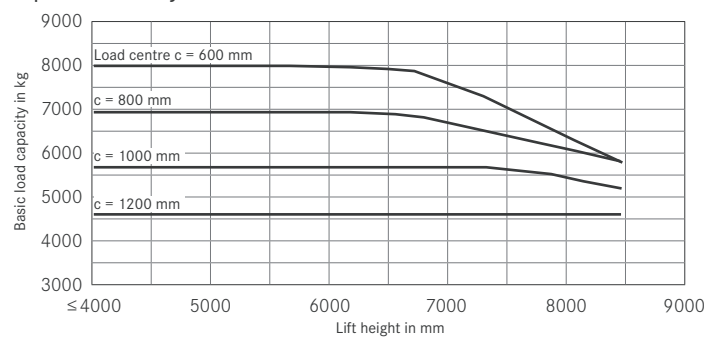
**RX 70-70 Triplex mast**  
Superelastic twin tyres



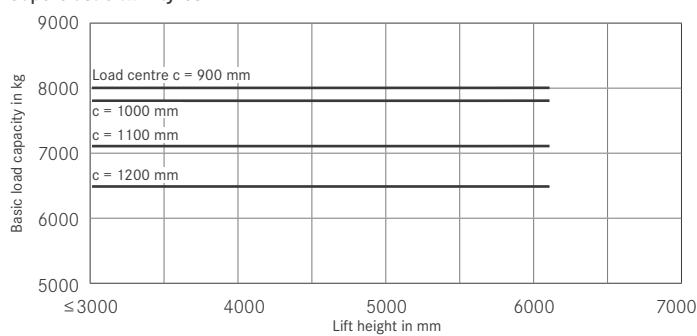
**RX 70-80 Telescopic mast**  
Superelastic twin tyres



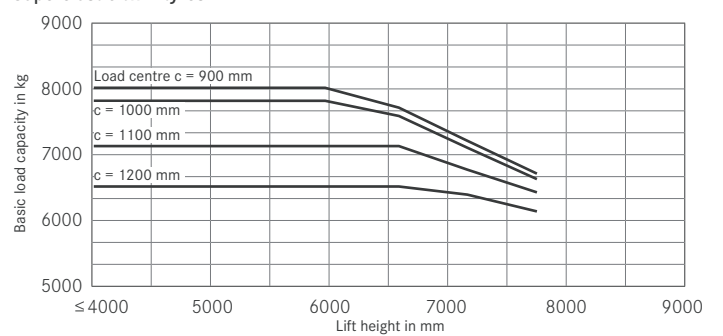
**RX 70-80 Triplex mast**  
Superelastic twin tyres



**RX 70-80 LC 900 Telescopic mast**  
Superelastic twin tyres



**RX 70-80 LC 900 Triplex mast**  
Superelastic twin tyres



The values indicated may vary depending on the truck's features

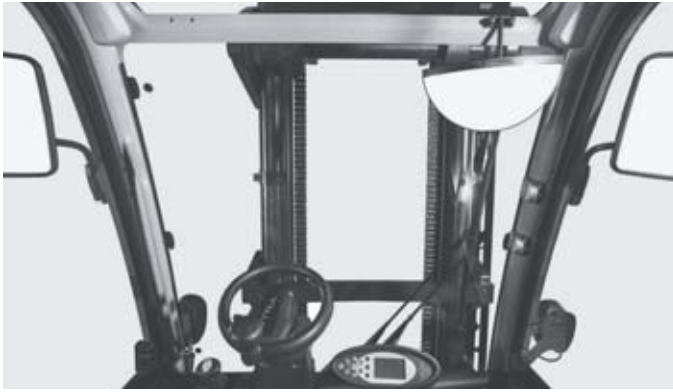
RX 70-60/80 Diesel Forklift Truck  
Power intelligently defined

---





RX 70-60/80 Diesel Forklift Truck  
Detailed Photos



Always the best view of the load and forks thanks to narrow mast profiles



Spacious, comfortable driver's cab



Cyclone air filter for clean engine intake air



Sensitive hydraulic control and various storage compartments



Good servicing and maintenance access



AdBlue tank for the after-treatment of exhaust gases



Wide, unrestricted entry and exit area



Large, non-slip step for safe entry and exit

RX 70-60/80 Diesel Forklift Truck  
Power intelligently defined





## RX 70-60/80 Diesel Forklift Truck

### Power intelligently defined

---

Maximum performance for optimum load handling thanks to diesel-electric drive with powerful industrial engine

Gentle, precise and safe load handling as well as direct feedback for the driver thanks to ultra-modern hydraulic technology

Best visibility due to high seat position and driver's cab offset to one side



STILL RX 70-60/80 diesel forklift trucks with a load capacity of up to 8 tonnes are equipped with a diesel-electric drive. This combines the advantages of a powerful internal combustion engine with the precision of an electric drive, guaranteeing high availability, a longer service life and lower operating costs. All drive components are encapsulated to provide protection against dust and water penetration. As a result the trucks are perfect for a range of applications, including indoor and outdoor use in the construction industry, building materials sector and wood processing, the metalworking industry, paper industry and the drinks industry. Customers in the logistics and freight-carrier industries also stand to benefit.

The bend-proof and torsionally rigid mast allows safe load handling, even for heavy loads. The driver has an excellent all-round view thanks to the high seat position and driver's cab offset to one side. The comfortable driver's cab incorporates the latest ergonomic criteria to combat fatigue and improve safety. The driving and lifting behaviour can be tailored to operational circumstances or the driver's preferences. Five driving programmes are available. The Blue-Q energy-saving mode cuts energy consumption by 10 per cent with no loss of performance.

## Extensive Equipment

---

### Power

---

- Diesel-electric drive with powerful industrial engines: high availability, longer service life and low operating costs
- Can lift up to 8 tonnes with a load centre of 600 or 900 mm
- Move goods effectively: driving speed of up to 20 km/h
- High delivery volume at low engine speeds due to electrically controlled hydraulic pump
- Safe load handling even with heavy loads due to robust, bend-proof and torsionally rigid mast

### Precision

---

- Select maximum turnover or maximum efficiency: 5 driving programmes leave you in control
- Speed, acceleration and braking can all be individually set
- Powerful and precise hydraulic operation reduces breakages: safe load handling thanks to sensitive and direct hydraulic control

### Ergonomics

---

- Spacious, comfortable driver's cab that can be individually set up and offering numerous storage compartments
- Premium driver's seat offers the best seat ergonomics
- Safe and comfortable entry and exit due to large, non-slip and clearly visible step
- Choose from a range of individual control options: mini-lever, Fingertip or Joystick 4Plus

### Compactness

---

- Ideal for confined spaces thanks to smaller working widths
- Optimal visibility over the truck contours due to narrow overhead guard profile struts and large windows
- Efficient block stacking thanks to narrow truck frame

### Safety

---

- Perfect all-round safety: narrow mast profile and large viewing windows on all sides
- Asymmetrically offset driver's seat affords excellent visibility over load and fork carriage
- Optimal stability thanks to low centre of gravity (truck)
- Convenient step and grab handles ensure high operator safety
- Robust, bend-proof and torsionally rigid mast brings added safety for drivers and the environment

### Environmental Responsibility

---

- Low fuel consumption: reduction of operating costs and CO<sub>2</sub> emissions
- Blue-Q efficiency mode allows energy savings of up to 10 per cent at the press of a button with no loss of performance
- Over 95 percent of all installed materials are recyclable
- Thanks to ultra-modern exhaust gas regeneration, forklift truck emissions fall well below the emissions limit values in the current EU 3b standard (combination of oxidation catalyst and soot particle filter, as well as selective catalytic reaction / Ad Blue)

# RX 70-60/80 Diesel Forklift Truck

## Equipment Variants



	RX 70-60	RX 70-70	RX 70-80	RX 70-80/900		
Driver's cab	Impact-absorbing driver's seat for optimal comfort on uneven routes	●	●	●	●	
	Steel protective roof	●	●	●	●	
	Weather protection design in different variants	○	○	○	○	
	Driver's cab, protective roof height 2,697 mm	○	○	○	○	
	Tarpaulin cab	○	○	○	○	
	Tinted front windscreen, rear and front windows, windscreen washing/wiping facility	○	○	○	○	
	Single-pedal transmission control	●	●	●	●	
	Double-pedal transmission control	○	○	○	○	
	Built-in storage and drink holder	●	●	●	●	
	Display and function buttons protected from water spray	●	●	●	●	
	Writing pad with clipboard (removable) and lighting	○	○	○	○	
	Grammer driver's seat with leatherette cover	●	●	●	●	
	Comfort driver's seat with textile cover and lumbar support	○	○	○	○	
	Swivel seat for a healthy body posture when reversing	○	○	○	○	
	Exclusive driver's seat with leatherette or textile cover, mechanical or airsprung, extra-wide seat pad, large suspension travel, lumbar support, height-adjustable back extension and heated seat	○	○	○	○	
	Horizontal spring plate for driver's seat to minimise human vibrations	○	○	○	○	
	Document pocket on the seat back	○	○	○	○	
	Roof liner with interior lighting	○	○	○	○	
	Radio/MP3 player with USB connection	○	○	○	○	
	Adjustable roof window	○	○	○	○	
	Protective sunshade and sun blind	○	○	○	○	
	Water heating with blower and defroster nozzles for front windscreen and footwell	○	○	○	○	
	Air conditioning	○	○	○	○	
	Mast	Telescopic free view mast	○	○	○	○
		Triplex free view mast	○	○	○	○
		Fork wear protection	○	○	○	○
		Different fork carriage widths and integrated side shifter	○	○	○	○
Load backrest		○	○	○	○	
Automatic mast vertical position		○	○	○	○	
Hydraulic accumulator in the lifting cylinder to attenuate pressure peaks in the hydraulic system		○	○	○	○	
Angle of incline 5/8° front/rear incline		●	●	●	●	
Bellows protect the tilt cylinder from dust and moisture		○	○	○	○	
Tyres		Superelastic tyres, SIT system, single or twin	●	●	●	●
	Superelastic tyres, SIT system, natural colour or anti-static	○	○	○	○	
	Pneumatic tyres, single or twin	○	○	○	○	
Hydraulics	Up to three hydraulic circuits for controlling accessories	○	○	○	○	
	Custom parametrisation of hydraulic functions	●	●	●	●	
	Mini-lever with armrest, two levers	●	●	●	●	
	Mini-lever with armrest, three or four levers	○	○	○	○	
	Joystick 4Plus or Fingertip	○	○	○	○	
Drives	Five driving programmes for different driving and braking behaviour	●	●	●	●	
	Blue-Q energy-saving mode	●	●	●	●	
	Smooth acceleration and reversing	●	●	●	●	
	Maintenance-free drives for driving, steering and lifting	●	●	●	●	
	Travel and lift drive components enclosed to protect against dust and dirt	●	●	●	●	
	Dry air filter with maintenance indicator	●	●	●	●	
	Additional air filter, cyclone pre-separator or oil bath air filter	○	○	○	○	
	Automatic engine shutdown	○	○	○	○	
	Engine preheating via external power connection	○	○	○	○	
	Diesel particle filter	●	●	●	●	
Brake	Wear-free disc brakes that run in an oil bath	●	●	●	●	
	Energy recovery when braking	●	●	●	●	
	Hydraulic parking brake	●	●	●	●	
Safety	Forklift has low centre of gravity and steering axle with high self-aligning bearing for optimum levels of safety	●	●	●	●	
	Protective grille roof	○	○	○	○	
	Narrow protective roof profile for an optimum all-round view	●	●	●	●	
	Easybelt restraint system for quick and safe fastening and unfastening	○	○	○	○	
	IWS restraint system with strap opening located on both sides	○	○	○	○	
	Lighting system in halogen or LED design, approvable	○	○	○	○	
	Working lights in halogen or LED design	○	○	○	○	
	Roof window in rear protective roof area, improved visibility when reversing	●	●	●	●	
	Flashing warning light	○	○	○	○	
	STILL Safety Light warning device, illuminated blue	○	○	○	○	
	Seat belt control, drive unit only enabled when seat belt is fastened	○	○	○	○	
	Speed limiter adjustable by driver	○	○	○	○	
	Tempomat cruise control	○	○	○	○	
Load measuring with ±5 percent precision	○	○	○	○		
FleetManager: access authorisation, shock detection, reports	○	○	○	○		

● Standard ○ Optional — Not available

STILL GmbH  
Berzeliusstraße 10  
D-22113 Hamburg  
Tel.: +49 (0)40/73 39-20 00  
Fax: +49 (0)40/73 39-20 01  
info@still.de

**For further information please visit:**  
**[www.still.eu](http://www.still.eu)**

STILL is certified in the following areas: Quality management, occupational safety, environmental protection and energy management.

