

# KUBOTA WHEEL LOADER RT210-2

For Earth, For Life  
**Kubota**



Engine output:  
**26 HP / 19 kW**



Machine weight:  
**2100 / 2213 kg**

## Standard equipment

- Kubota Engine D1105 Stage V
- Tyres 10.0/75x15.3 AS (Total width 108 cm)
- Hydrostatic Transmission 4 wheel drive with automotive control
- 6 tons axles (HD version) with 14.300 N pulling force
- Limited slip on both axles
- Electric shuttle on joystick
- Lifting arm and tilt controlled by joystick
- Double acting mechanical auxiliary circuit AUX1
- Floating position
- ROPS / FOPS canopy incl. safety doors
- Deluxe seat with safety belt, armrest and extended backrest
- Battery main switch
- Towing hook at the back
- Working light (halogen) front and on lifting arm
- Cyclone filter
- Oil Cooler
- Hydraulic quick coupler
- Drum brakes

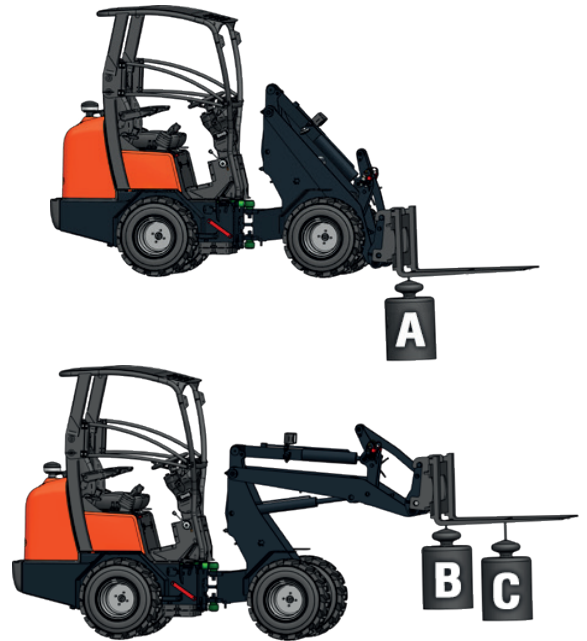


# Specifications

For Earth, For Life

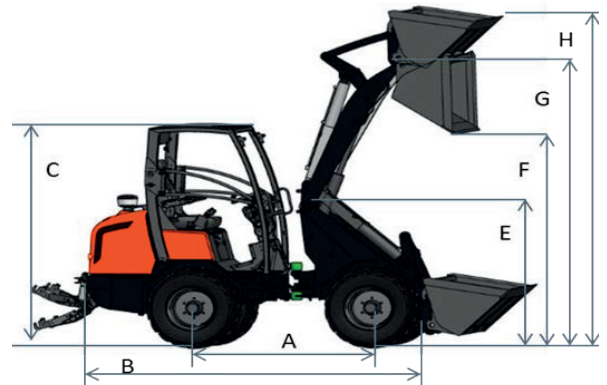


Model name		RT210-2	
Engine	Make	Kubota	
	Model	D1105	
	Displacement	CC	1123
	Output	HP(kW)	26 (19)
Service weight		kg	2100
Tipping load		kg	1450
Driving speed	1°st speed	km/h	0~10
	2°nd speed	km/h	0~20
Lifting capacity	A	kg	2000
	B	kg	1250
	C	kg	950
Auxiliary circuit	Oil flow	l/min	45
	Oil pressure	bar	170



# Dimensions

Model name		RT210-2	
A	Wheel base	mm	1515
B	Overall length	mm	2975
C	Overall height with canopy	mm	2300
C'	Overall height with cabin	mm	2284
D	Overall width	mm	1080/1280
E	Height front frame	mm	1480
F	Max. dumping height	mm	1988
G	Max. bucket pin height	mm	2825
H	Height with bucket	mm	3392



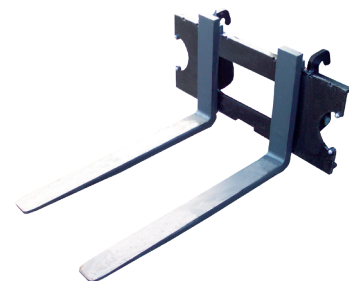
# Accessories



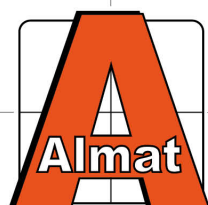
Earth bucket



Bucket 4 in 1



Pallet fork



**INDUSTRIE | GROENTECHNIEK | LANDBOUW | VERHUUR**

Stoomdijk 13 - 15 T. 0573 - 44 80 80  
7245 PN Laren Gld. info@almatlaren.nl

**WWW.ALMATLAREN.NL**